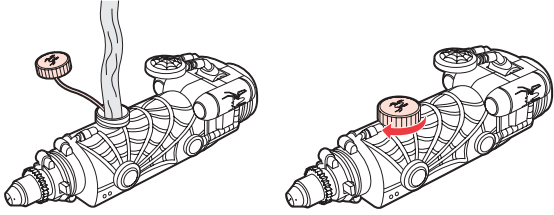
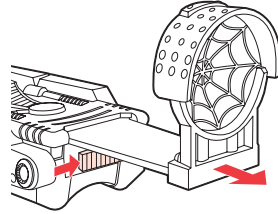


Water Blaster Assembly & Use:

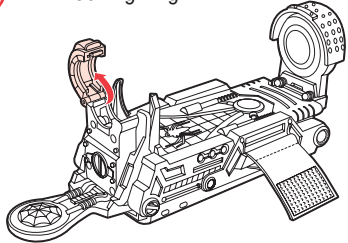
- 1** Unscrew cap and fill tank with clean water to about the half or three-quarters level. Replace cap. Always remove from Blaster Holder when filling.



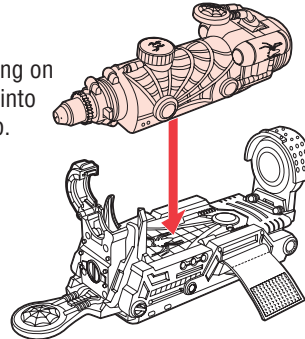
- 2** Push Lock Button in and pull out Rear Clamp.



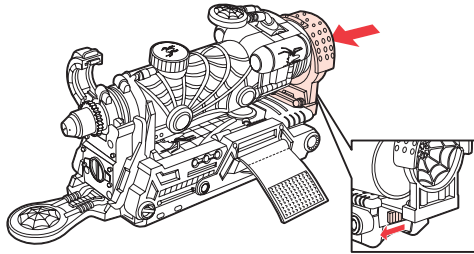
- 3** Lift locking ring.



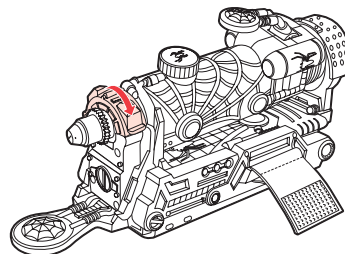
- 4** Snap rear ring on Water Tank into Holding Clip.



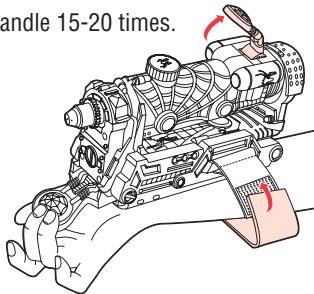
- 5** Push in Rear Clamp and push Lock Button.



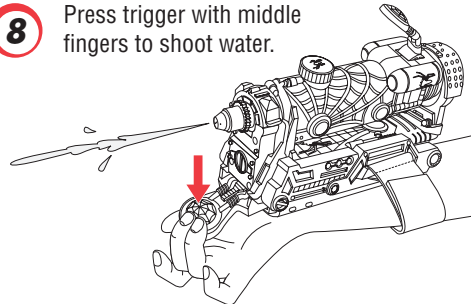
- 6** Close and lock locking ring. Blaster will not spin if locking ring is disengaged.



- 7** Pump handle 15-20 times.



- 8** Press trigger with middle fingers to shoot water.



SPIDER-MAN 3

AGES 5+
69239

ELECTRONIC WEB SPINNING BLASTER

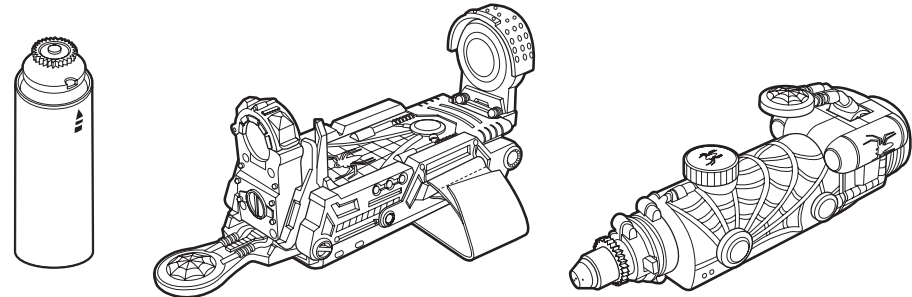
Thank you for purchasing the **SPIDER-MAN ELECTRONIC WEB SPINNING BLASTER**. Please read and retain these instructions.

WARNING: Pressurized container. Read all instructions before use.

CAUTION: To avoid injury use only clean tap water. Do not aim at eyes or face.

Includes:

- One 5 oz. (142 grams) can of triple stream Web Fluid
- Adjustable blaster holder
- Water tank



CAUTION:
Hair entanglement may result if child's hair comes in contact with moving parts of toy. Adult supervision is required.

x3 ALKALINE BATTERIES REQUIRED
1.5VAA/LR6 size
NOT INCLUDED
Phillips/cross head screwdriver (not included) needed to insert batteries.

WARNING: Contents Under Pressure.

Do Not Puncture Or Incinerate.

Do Not Expose to Heat or Store at Temperatures above 120° Degrees F / 48 Degrees C.

- Do Not Spray on Open Flame or Any Hot Stoves or Light Bulbs.
- Do Not Leave in Direct Sunlight or Store in a Hot Vehicle.
- Heat Can Cause Can to Burst Violently.
- Do Not Spray in Eyes or Face.
- Do Not Ingest String.

Adult Supervision Required.

Non-Toxic.

Non-Flammable.

Not Recommended for Indoor Use.

Shake well before using.
Can should be used in a horizontal position.

CAUTION: Do not spray on walls, floors, clothing, furniture or vinyl as string may stain certain types of surfaces and fabrics. **USE ONLY AS DIRECTED.**

Ingredients: Water HFC 134a (propellant), Acrylic Resin, Hydrocarbon solvents, Light oil, Pigment.

www.hasbro.com/spiderman

Hasbro **MARVEL**

COLUMBIA PICTURES
© 2006 COLUMBIA PICTURES INDUSTRIES, INC. ALL RIGHTS RESERVED.



Not suitable for children under 3 years because of small parts — choking hazard.

Spider-Man and all related characters and the distinctive likeness thereof: TM & © 2007 Marvel Characters, Inc. Spider-Man 3, the Movie: TM & © 2007 Columbia Pictures Industries, Inc. All rights reserved. ®* and/or TM* & © 2006 Hasbro. All Rights Reserved. TM & ® denote U.S. Trademarks.

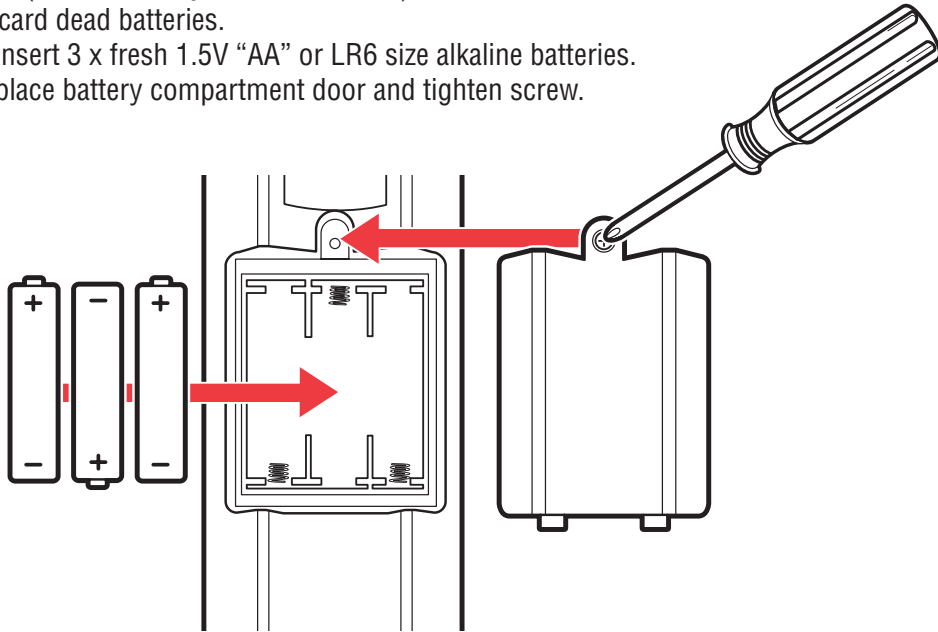
P/N: 6652490000

ARTECH 185 K

5008(SPD_69239_Spinning_Blaster.indd)2006-11-0508/Eva/2006-11-18/CN_Mac7/BR/Artech_150L

To Insert Batteries:

1. Remove water tank/web fluid canister from blaster housing.
2. Using a Phillips/cross head screwdriver (not included), loosen the screw in the battery compartment door. Remove door (screw will stay attached to door), and remove and discard dead batteries.
3. Insert 3 x fresh 1.5V "AA" or LR6 size alkaline batteries. Replace battery compartment door and tighten screw.



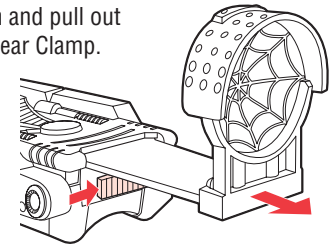
Make sure to use only SPIDER-MAN 3 Web Fluid Refill canisters with this blaster!

Web Blaster Assembly & Use:

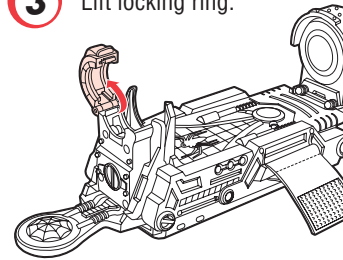
- 1 Rotate back part of nozzle (not the gear) until the D shaped opening in the nozzle shows red dot on can. Shake can well.



- 2 Push Lock Button in and pull out Rear Clamp.

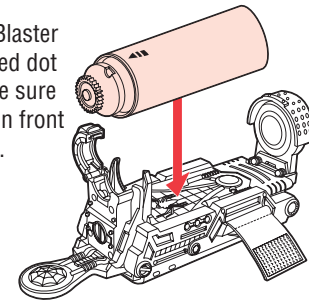


- 3 Lift locking ring.

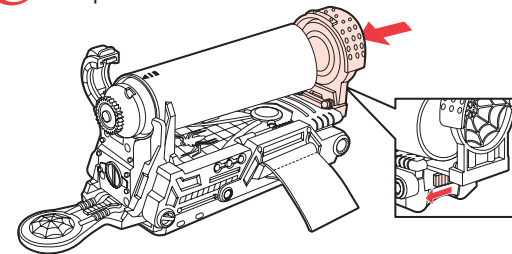


- 4

- Load can into Blaster Housing with red dot facing up. Make sure silver collar is in front of Holding Clip.

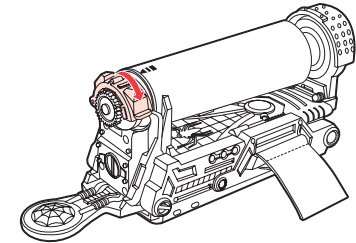


- 5 Push in Rear Clamp and push Lock Button.

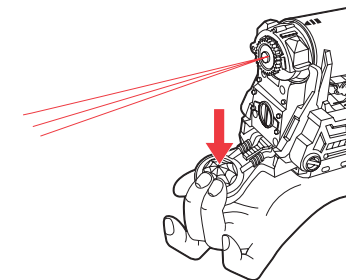
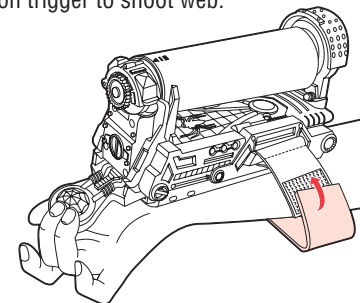


- 6

- Close and lock locking ring. Blaster will not spin if locking ring is disengaged.



- 7 Place Web Blaster on forearm and fasten touch fastener straps. Use middle fingers to press down on trigger to shoot web.



Note: Clear nozzle of any excess string for best performance. For best results aim slightly upwards.

CAUTION: TO AVOID BATTERY LEAKAGE

1. Be sure to insert the batteries correctly and always follow the toy and battery manufacturers' instructions;
2. Do not mix old and new batteries or alkaline, standard (carbon-zinc) or rechargeable (nickel-cadmium) batteries;
3. Always remove weak or dead batteries from the product.

IMPORTANT: BATTERY INFORMATION

Please retain this information for future reference. Batteries should be replaced by an adult.

CAUTION:

1. Always follow the instructions carefully. Use only batteries specified and be sure to insert item correctly by matching the + and - polarity markings.
2. Do not mix old batteries and new batteries or standard (carbon-zinc) with alkaline batteries.
3. Remove exhausted or dead batteries from the product.
4. Remove batteries if product is not to be played with for a long time.
5. Do not short circuit the supply terminals.
6. Should this product cause, or be affected by, local electrical interference, move it away from other electrical equipment. Reset (switching off and back on again or removing and re-inserting batteries) if necessary.
7. RECHARGEABLE BATTERIES: Do not mix these with any other types of battery. Always remove from the product before recharging. Recharge batteries under adult supervision. DO NOT RECHARGE OTHER TYPES OF BATTERIES.